



Important Info – September 2020

HOLLAND Fifth Wheels

Discontinuation of Service Replacement Fifth Wheel Mounting Brackets for 7000 & 8000 Traditional Slider Series

Effective January 1st, 2021

HOLLAND will discontinue the production of traditional slider mounting brackets. The traditional slider mounting brackets are unique to the 7000 and 8000 series slider assemblies and are not interchangeable with ILS or SDS sliders. Mounting brackets from the ILS or SDS are not compatible with the traditional slider bases.

The HOLLAND ILS slider is available with inboard and outboard mounting. The slider includes air actuated plungers, lightweight design, and is available in slide travel lengths of 12" to 48" at 12 inch increments. Mounting bracket heights are available at 7, 8, 9 and 10 inches.

- Base model ILS slider available with FW17 and FW35 top plate
- ILS No-Tilt slider available with FW35 top plate only

The HOLLAND Severe Duty Slider, SDS, is the newest member of the HOLLAND slider family and is available with inboard and outboard mounting. The slider includes air actuated plungers and is available in slide travel lengths of 12" to 72" at 12 inch increments.

- Base Model SDS slider available with FW70 top plate only
- SDS No-Tilt slider available with FW70 top plate only
- SDS Kompensator slider available with FW35 and FW70 top plate

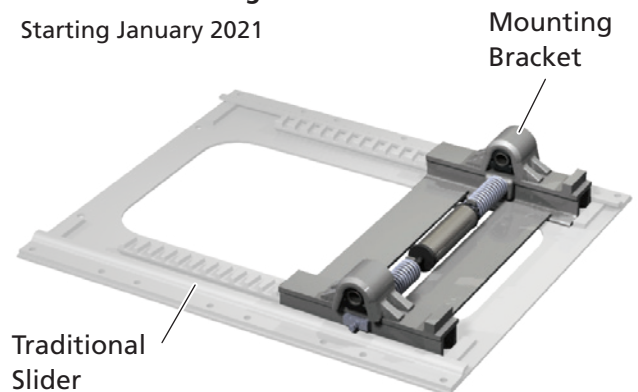
Customers will have the opportunity to update their fifth wheel slider assemblies to either the ILS or SDS systems and take advantage of the benefits associated with a new base and bracket assembly.

Refer to the Fifth Wheel Selection Guide, XL-FW10066SG-en-US for more information.

Please contact your SAF-HOLLAND Sales or Customer Service Representative for any additional questions.

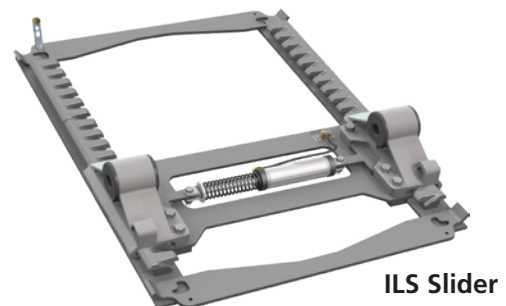
Service Replacement Mounting Brackets for Traditional Slider Series will No Longer be Available

Starting January 2021

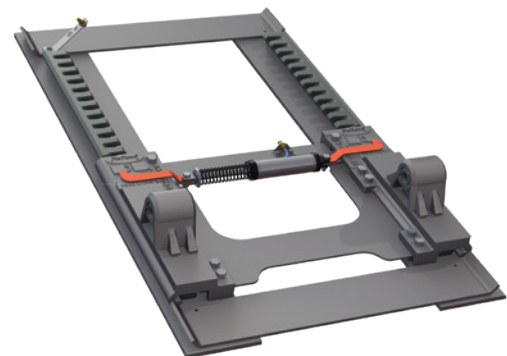


ILS & SDS Sliders are Available for Replacement

Mounting brackets are not interchangeable



ILS Slider



SDS Severe Duty Slider